

Mitsutomo Submittal Data Sheet

9k High Heat One Way Cassette Heat Pump System

Job Name: _____

Engineer: _____

Submitted By: _____

Date: _____

Unit Tag: _____

System Info & Features:

- One way ceiling cassette heat pumps
- Fits between most ceiling joists
- Large display and handheld remote
 - 24 hour timer
 - Error code diagnosis
 - Functions settings (see manual)
- 7-Day Programmable wall mount wifi thermostat with infrared
- Economy mode
- Turbo mode
- Dry mode
- Heating down to -22 degrees
- Drop down filter



MODEL NUMBER

Indoor unit:	HJ-UZ09-AB-Q
Outdoor unit:	HO-SZ09-AB-Q
Certified:	

OPTIONAL ACCESSORIES

Wifi Adapter	17310900A02901
3rd Party Thermostat Interface Adapter	17222000A68532

SYSTEM PERFORMANCE DATA

Electrical:			
Normal Operational Voltage	(V, Ph, Hz)	208/230V, 1Ph, 60Hz	
Minimum circuit ampacity (outdoor)	(A)	15.0	
Max fuse (outdoor)	(A)	15.0	
Connection wiring		14/4 STRANDED	
Cooling Efficiencies & Capacity Data:			
Capacity	(Btu/h)	9000(3600~12200)	
Power Input	(W)	692(282~1150)	
Current	(A)	3.10(1.4~5.2)	
SEER2	(Btu/W)	24.0	
EER2	(Btu/W)	13.0	
Heating Efficiencies & Capacity Data:			
Capacity	(Btu/h)	10900(4800~14000)	
Power Input	(W)	968(391~1400)	
Current	(A)	5.24(2.1~6.3)	
HSPF2-4	(Btu/W)	12.4	
HSPF2-5	(Btu/W)	9.5	
COP	W/W	3.30	
Heat at 17F (H32)	(Btu/h)	9800	
Heat at 5F (H42)	(Btu/h)	10500	
COP at 5F (H42)	W/W	1.80	
Temperature Ratings:			
Indoor (cooling)	(Deg. °F)	60~90	
Indoor (heating)	(Deg. °F)	32~86	
Outdoor (cooling)	(Deg. °F)	-22~-122	
Outdoor (heating)	(Deg. °F)	-22~-75	

INDOOR UNIT DATA

Input	(W)	/
Output	(W)	30.0
RLA	(A)	0.80
Speed(Hi/Mi/Lo)	(RPM)	1024/944/784
Air Flow & Sound Data:		
Indoor air flow (Hi/Med/Lo)	(CFM)	341.18/294.12/258.82/235.29
Indoor noise level (Hi/Med/Lo)	(DBA)	37.5/35.5/31
Dry Mode (Dehumidification)	(LPH)	1.02

OUTDOOR UNIT DATA

Compressor:		
Type		Rotary
Capacity	(Btu/h)	11823
Input	(W)	885
Rated current (RLA)	(A)	8.8
Outdoor Fan Motor:		
Qty		1
Input	(W)	/
Output	(W)	34.00
RLA	(A)	0.42
Speed	(RPM)	850/680/450
Airflow & Sound Data:		
Outdoor air flow (Max.)	(CFM)	1323.5
Outdoor noise level	(DBA)	55.5

REFRIGERANT PIPE DATA

Refrigerant type		R410A
Refrigerant charge	(oz)	41.62
Design pressure	(PSIG)	550/340
Liquid side / Gas side	(inch)	1/4" / 3/8"
Max. pipe length	(ft)	82.0
Max. height difference	(ft)	32.8
Refrigerant Precharge	(ft)	25.0
Additional charge for each ft	(oz/ft)	0.16
Connection method		Flared
Refrigerant oil / oil charge	(ml)	VG74/350

DIMENSIONS

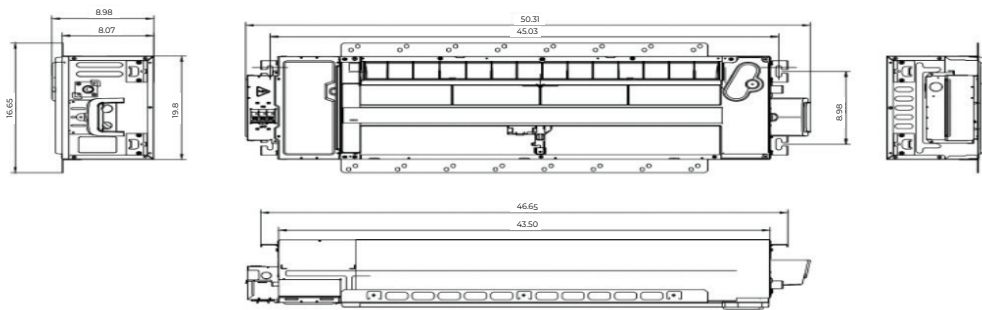
Indoor:		
Dimension (WxDxH)	(inch)	50.31x13.19x8.98
Packing(WxDxH)	(inch)	57.60x22.48x22.64
Net/Gross weight	(lbs.)	43.87/81.35
Outdoor:		
Dimension (WxDxH)	(inch)	31.69x12.99x21.81
Packing(WxDxH)	(inch)	36.02x14.57x24.21
Net/Gross weight	(lbs.)	74.07/80.25

WARRANTY



5 years compressor
5 years parts

Indoor Unit Dimension



Outdoor Unit Dimension

