

## Mitsutomo Submittal Data Sheet

### 12k BTU Wall Mount High Heat Single Zone

Job Name: \_\_\_\_\_

Engineer: \_\_\_\_\_

Submitted By: \_\_\_\_\_

Date: \_\_\_\_\_

Unit Tag: \_\_\_\_\_

#### System Info & Features:

- Large display handheld remote
- 24 hr timer
- Error code diagnosis
- Functions settings (see manual)
- Economy mode
- Turbo mode
- Dry mode
- Heating down to -22 degrees



#### MODEL NUMBER

Indoor unit:	HW-UZ12-AB-Q
Outdoor unit:	HO-SZ12-AB-Q
Certified:	

#### OPTIONAL ACCESSORIES

Wifi Adapter	17310900A02901
7 Day Programmable Wall Thermostat	17317100A37597
3rd Party Thermostat Interface Adapter	17222000A68532

#### SYSTEM PERFORMACE DATA

<b>Electrical:</b>			
Normal Operational Voltage	(V, Ph, Hz)	208/230V,1Ph,60Hz	
Minimum circuit ampacity (outdoor)	(A)	15.0	
Max fuse (outdoor)	(A)	15.0	
Connection wiring		14AWG*4	
<b>Cooling Efficiencies &amp; Capacity Data:</b>			
Capacity	(Btu/h)	12000(3700~13300)	
Power Input	(W)	923(200~1150)	
Current	(A)	2.5(0.86~5)	
SEER2	(Btu/W)	23.1	
EER2	(Btu/W)	13.0	
<b>Heating Efficiencies &amp; Capacity Data:</b>			
Capacity	(Btu/h)	12000(5100~14300)	
Power Input	(W)	978(350~1400)	
Current	(A)	4.25(1.5~6.0)	
HSPF2-4	(Btu/W)	10.5	
HSPF2-5	(Btu/W)	8.0	
COP	W/W	3.60	
Heat at 17F (H32)	(Btu/h)	10300	
Heat at 5F (H42)	(Btu/h)	11000	
COP at 5F (H42)	W/W	1.88	
<b>Temperature Ratings:</b>			
Indoor (cooling)	(Deg. °F)	60~90	
Indoor (heating)	(Deg. °F)	32~86	
Outdoor (cooling)	(Deg. °F)	-22~-122	
Outdoor (heating)	(Deg. °F)	-22~75	

#### REFRIGERANT PIPE DATA

Refrigerant type		R410A
Refrigerant charge	(oz)	41.62
Design pressure	(PSIG)	550/340
Liquid side / Gas side	(inch)	1/4" / 1/2"
Max. pipe length	(ft)	82.0
Max. height difference	(ft)	32.8
Refrigerant Precharge	(ft)	25.0
Additional charge for each ft	(oz/ft)	0.16
Connection method		Flared
Refrigerant oil / oil charge	(ml)	VG74/350

#### INDOOR UNIT DATA

Input	(W)	/
Output	(W)	13.0
RLA	(A)	0.4
Speed (Hi/Mi/Lo)	(RPM)	1250 / 950 / 750

#### Air Flow & Sound Data:

Indoor air flow (Hi/Med/Lo)	(CFM)	341.18 / 291.18 / 194.12 / 152.94
Indoor noise level (Hi/Med/Lo)	(DBA)	41.5 / 36 / 24
Dry Mode (Dehumidification)	(L/H)	1.45

#### OUTDOOR UNIT DATA

##### Compressor:

Type		Rotary
Capacity	(Btu/h)	11823
Input	(W)	885
Rated current (RLA)	(A)	8.8

##### Outdoor Fan Motor:

Qty		1
Input	(W)	/
Output	(W)	34
RLA	(A)	0.4
Speed	(RPM)	850 / 680 / 450

##### Airflow & Sound Data:

Outdoor air flow (Max.)	(CFM)	1324
Outdoor noise level	(DBA)	56.0

#### Dimensions:

##### Indoor:

Dimension (WxDxH)	(inch)	31.57 x 7.87 x 11.61
Packing(WxDxH)	(inch)	34.45 x 11.22 x 14.96
Net/Gross weight	(lbs.)	18.74 / 24.25

##### Outdoor:

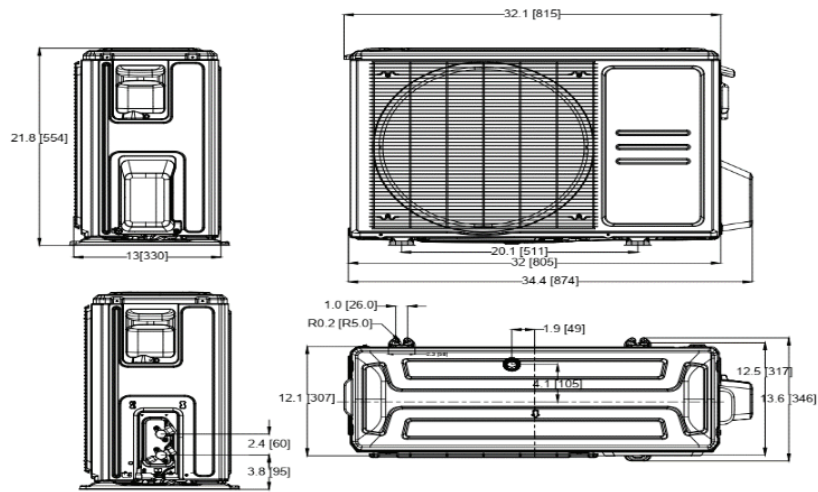
Dimension (WxDxH)	(inch)	31.69 x 12.99 x 21.81
Packing(WxDxH)	(inch)	36.02 x 14.57 x 24.21
Net/Gross weight	(lbs.)	73.63 / 79.37

#### WARRANTY

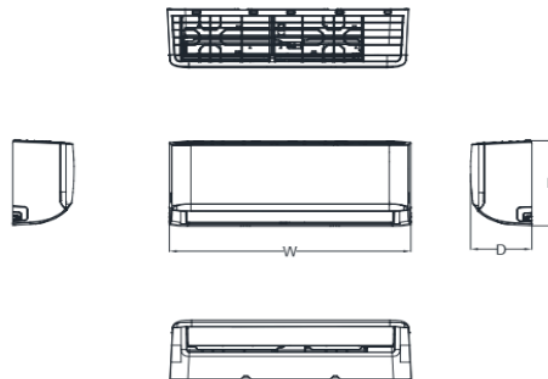


5 years compressor  
5 years parts

## Outdoor Unit Dimension



## Indoor Unit Dimension (Internal Pump)



Capacity	W	D	H
12k	31.57	7.87	11.61