



## Mitsutomo Submittal Data Sheet

### 18K High Heat 4 Way Cassette Single Zone Heat Pump System

Job Name: \_\_\_\_\_

Engineer: \_\_\_\_\_

Submitted By: \_\_\_\_\_

Date: \_\_\_\_\_

Unit Tag: \_\_\_\_\_

#### System Info & Features:

- Large display and handheld remote
- - 24 our timer
- - Error code diagnosis
- - Functions settings (see manual)
- Economy Mode
- Turbo Mode
- Dry Mode
- Heating Down to -22 deg
- Fresh Air Intake
- Self Diagnostics
- Super Quiet
- Built in Condensate Pump 25" Lift
- Fits between most 24"x24" Ceiling Tiles
- 7 Day Programmable Wall Thermostat



MODEL NUMBER	
Indoor unit:	HC-UZ18-AB-Q
Outdoor unit:	HO-SZ18-AB-Q
Certified:	

OPTIONAL ACCESSORIES	
3rd Party Thermostat Interface Adapter	17222000A68532
WIFI Adapter	17310900A02901

SYSTEM PERFORMACE DATA			
<b>Electrical:</b>			
Normal Operational Voltage	(V, Ph, Hz)	208/230V,1Ph, 60Hz	
Minimum circuit ampacity (outdoor)	(A)	20.0	
Max fuse (outdoor)	(A)	25.0	
Connection wiring		14/4 AWG	
<b>Cooling Efficiencies &amp; Capacity Data:</b>			
Capacity	(Btu/h)	16000(5600~17000)	
Power Input	(W)	1280(250~1800)	
Current	(A)	8.0(1.70~8.6)	
SEER2	(Btu/W)	20.0	
EER2	(Btu/W)	12.5	
<b>Heating Efficiencies &amp; Capacity Data:</b>			
Capacity	(Btu/h)	17000(8700~21000)	
Power Input	(W)	1690(590~2400)	
Current	(A)	10.8(3.7~12.2)	
HSPF2-4	(Btu/W)	9.5	
HSPF2-5	(Btu/W)	7.8	
COP	W/W	2.95	
Heat at 17F (H32)	(Btu/h)	15900	
Heat at 5F (H42)	(Btu/h)	16000	
COP at 5F (H42)	W/W	1.75	
<b>Temperature Ratings:</b>			
Indoor (cooling)	(Deg. °F)	62~90	
Indoor (heating)	(Deg. °F)	32~86	
Outdoor (cooling)	(Deg. °F)	-22~-122	
Outdoor (heating)	(Deg. °F)	-22~75	

INDOOR UNIT DATA		
Input	(W)	45.00
Output	(W)	46.0
RLA	(A)	1.50
Speed(Hi/Mi/Lo)	(RPM)	730/630/570
<b>Air Flow &amp; Sound Data:</b>		
Indoor air flow (Hi/Med/Lo)	(CFM)	562.35/485.29/438.82
Indoor noise level (Hi/Med/Lo)	(DBA)	43.5/38.5/35.5
Dry Mode (Dehumidification)	(LPH)	2.22

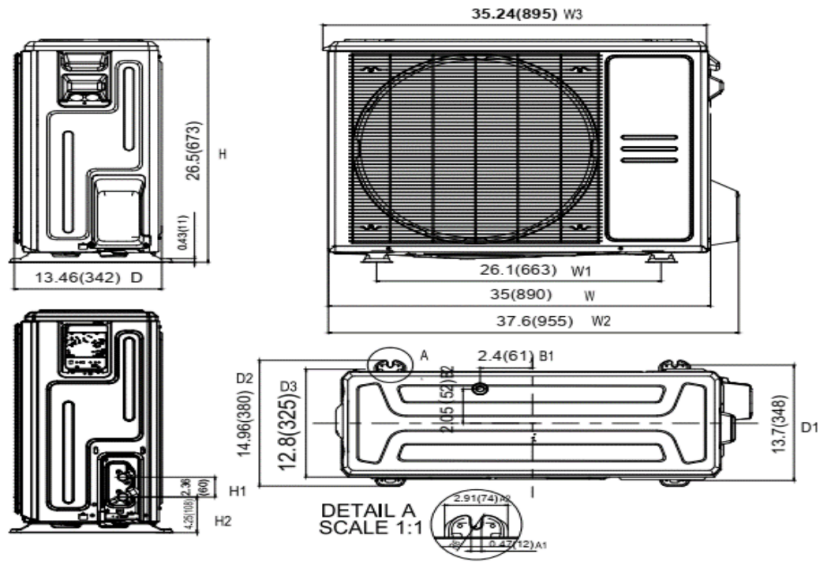
OUTDOOR UNIT DATA		
<b>Compressor:</b>		
Type		Twin-ROTARY
Capacity	(Btu/h)	25931
Input	(W)	2045
Rated current (RLA)	(A)	14.3
<b>Outdoor Fan Motor:</b>		
Qty		1
Input	(W)	/
Output	(W)	80.00
RLA	(A)	0.76
Speed	(RPM)	810 / 720
<b>Airflow &amp; Sound Data:</b>		
Outdoor air flow (Max.)	(CFM)	1764.7
Outdoor noise level	(DBA)	59.0

REFRIGERANT PIPE DATA		
Refrigerant type		R410A
Refrigerant charge	(oz)	65.26
Design pressure	(PSIG)	550/340
Liquid side / Gas side	(inch)	1/4" / 1/2"
Max. pipe length	(ft)	98.4
Max. height difference	(ft)	65.6
Refrigerant Precharge	(ft)	25.0
Additional charge for each ft	(oz/ft)	0.16
Connection method		Flared
Refrigerant oil / oil charge	(ml)	ESTER OIL VG74 620

Dimensions:		
<b>Indoor:</b>		
Dimension (WxDxH)	(inch)	22.44 x 22.44 x 10.24
Packing(WxDxH)	(inch)	26.06 x 26.06 x 12.48
Net/Gross weight	(lbs.)	35.71 / 46.96
<b>Outdoor:</b>		
Dimension (WxDxH)	(inch)	35.04 x 13.46 x 26.50
Packing(WxDxH)	(inch)	39.17 x 15.67 x 29.13
Net/Gross weight	(lbs.)	100.97 / 108.03

WARRANTY	
	5 years compressor 5 years parts

## Outdoor Unit Dimension



## Indoor Unit Dimension

