

Mitsutomo Submittal Data Sheet

18k BTU Wall Mount High Heat Single Zone

Job Name: _____

Engineer: _____

Submitted By: _____

Date: _____

Unit Tag: _____

System Info & Features:

- Large display handheld remote
- - 24 hr timer
- - Error code diagnosis
- - Functions settings (see manual)
- Economy mode
- Turbo mode
- Dry mode
- Heating down to -22 degrees



MODEL NUMBER

Indoor unit:	HW-UZ18-AB-Q
Outdoor unit:	HO-SZ18-AB-Q
Certified:	

OPTIONAL ACCESSORIES

Wifi Adapter	17310900A02901
7 Day Programmable Wall Thermostat	17317100A37597
3rd Party Thermostat Interface Adapter	17222000A68532

SYSTEM PERFORMANCE DATA

Electrical:		
Normal Operational Voltage	(V, Ph, Hz)	208/230V,1Ph,60Hz
Minimum circuit ampacity (outdoor)	(A)	20.0
Max fuse (outdoor)	(A)	25.0
Connection wiring		14AWG*4
Cooling Efficiencies & Capacity Data:		
Capacity	(Btu/h)	18000(8400~20200)
Power Input	(W)	1385(360~1860)
Current	(A)	8.9(2.5~9)
SEER2	(Btu/W)	22.0
EER2	(Btu/W)	13.0
Heating Efficiencies & Capacity Data:		
Capacity	(Btu/h)	18000(6000~23000)
Power Input	(W)	1575(815~2170)
Current	(A)	9.2(5.3~9.5)
HSPF2-4	(Btu/W)	10.6
HSPF2-5	(Btu/W)	7.9
COP	W/W	3.35
Heat at 17F (H32)	(Btu/h)	11100
Heat at 5F (H42)	(Btu/h)	17200
COP at 5F (H42)	W/W	1.89
Temperature Ratings:		
Indoor (cooling)	(Deg. °F)	60~90
Indoor (heating)	(Deg. °F)	32~86
Outdoor (cooling)	(Deg. °F)	-22~-122
Outdoor (heating)	(Deg. °F)	-22~75

REFRIGERANT PIPE DATA

Refrigerant type		R410A
Refrigerant charge	(oz)	65.26
Design pressure	(PSIG)	550/340
Liquid side / Gas side	(inch)	1/4" / 1/2"
Max. pipe length	(ft)	98.4
Max. height difference	(ft)	65.6
Refrigerant Precharge	(ft)	25.0
Additional charge for each ft	(oz/ft)	0.16
Connection method		Flared
Refrigerant oil / oil charge	(ml)	ESTER OIL VG74 620

INDOOR UNIT DATA

Input	(W)	58.00
Output	(W)	58.0
RLA	(A)	0.3
Speed(Hi/Mi/Lo)	(RPM)	1120 / 950 / 700
Air Flow & Sound Data:		
Indoor air flow (Hi/Med/Lo)	(CFM)	760.59 / 530.59 / 458.82 / 382.35
Indoor noise level (Hi/Med/Lo)	(DBA)	46 / 40 / 25
Dry Mode (Dehumidification)	(L/H)	1.35

OUTDOOR UNIT DATA

Compressor:		
Type		Twin-Rotary
Capacity	(Btu/h)	25931
Input	(W)	2045
Rated current (RLA)	(A)	14.25
Outdoor Fan Motor:		
Qty		1
Input	(W)	/
Output	(W)	80
RLA	(A)	0.8
Speed	(RPM)	810/720
Airflow & Sound Data:		
Outdoor air flow (Max.)	(CFM)	1765
Outdoor noise level	(DBA)	58.0

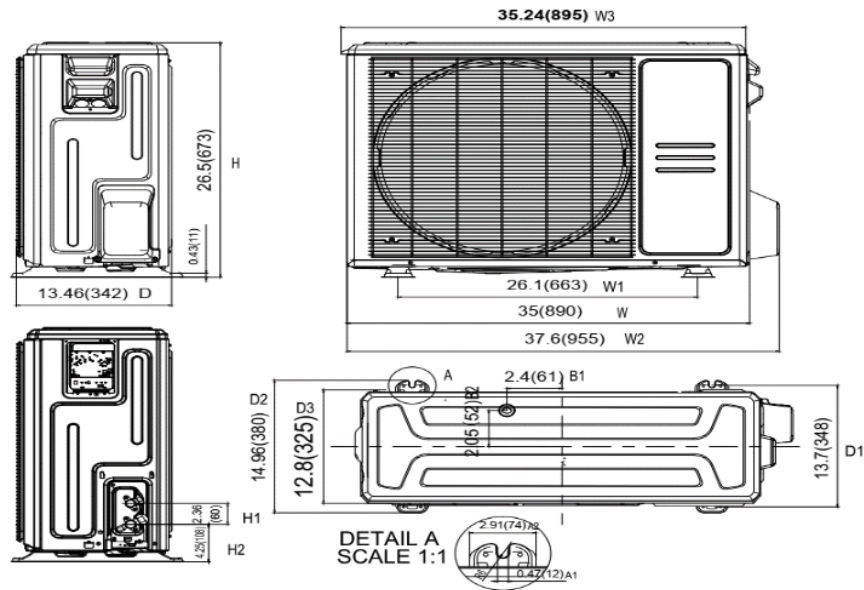
Dimensions:

Indoor:		
Dimension (WxDxH)	(inch)	42.60x9.21x13.27
Packing(WxDxH)	(inch)	45.47x16.34x12.40
Net/Gross weight	(lbs.)	29.54/37.48
Outdoor:		
Dimension (WxDxH)	(inch)	35.04 x 13.46 x 26.50
Packing(WxDxH)	(inch)	39.17 x 15.67 x 29.13
Net/Gross weight	(lbs.)	100.97 / 108.03

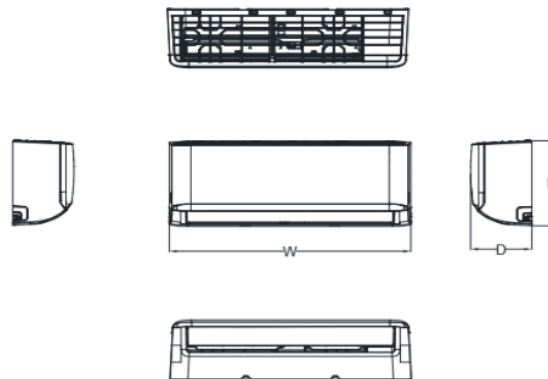
WARRANTY

	5 years compressor 5 years parts
--	-------------------------------------

Outdoor Unit Dimension



Indoor Unit Dimension (Internal Pump)



Capacity	W	D	H
18k	42.6	9.21	13.27