

Mitsutomo Submittal Data Sheet

R-454B 12k High Heat Slim Ducted Heat Pump

Job Name: _____

Engineer: _____

Submitted By: _____

Date: _____

Unit Tag: _____

System Info & Features:

- Slim design
- Up to .8" Static Pressure
- Heating down to -22 deg
- Self diagnostics
- Super quiet
- 7 Day Programmable Wall Thermostat



| MODEL NUMBER | |
|---------------|----------------|
| Indoor unit: | S-HD-UZ12-LA-Q |
| Outdoor unit: | HO-SZ12-LA-Q |
| Certified: | |

| OPTIONAL ACCESSORIES | |
|--|----------------|
| 3rd Party Thermostat Interface Adapter | 17222000A68532 |

| SYSTEM PERFORMANCE AND DATA | |
|---|---|
| Cooling Efficiencies and Performance | |
| SEER2 | 20 |
| EER2 | 12.0 |
| Rated Capacity | 12000 |
| Min/Max Capacity | 3000~13300 |
| Moisture Removal (L/H) | 1.39 |
| Standard Operating Range (F°) | -22~-122 |
| Conditions: | Indoor: 80F° DB/67F° WB Outdoor: 95F° DB/75F° WB |
| Heating Efficiencies and Performance | |
| HSPF2-4 | 10.6 |
| COP | 3.63 |
| 1. @ 47F° Rated | 12000 |
| 1. @ 47F° Min/Max Capacity | 3900~16500 |
| 2. @ 17F° Rated | 10200 |
| 3. @ 5F° Rated: Capacity / COP | 12000/1.95 |
| 3. @ 5F° Max: Capacity | 12000 |
| Standard Operating Range (F°) | -22~-75 |
| 1. Conditions: | Indoor: 70F° DB/60F° WB Outdoor: 47F° DB/43F° WB |
| 2. Conditions: | Indoor: 70F° DB/60F° WB Outdoor: 17F° DB/15F° WB |
| 3. Conditions: | Indoor: 70F° DB/60F° WB Outdoor: 5F° DB/5F° WB |

| SPECIFICATIONS | |
|---|---------------------------------------|
| Indoor: | |
| Indoor Air Flow (Turbo/H/M/L/Q) (CFM) | 419.1 / 350.2 / 256.0 / 216.0 / 135.4 |
| Indoor Noise Level (Turbo/H/M/L/Q) (DBA) | 32.5 / 32.5 / 30.5 / 28.5 / 26 |
| Heating Efficiencies and Performance | |
| Compressor Type | ROTARY |
| Refrigerant | R454B |
| Refrigerant Oil Charge (OZ) | 11.83 |
| Refrigerant Oil | VG74 |
| Outdoor Air Flow (Max) (CFM) | 1471.5 |
| Outdoor Noise Level (DBA) | 54.0 |

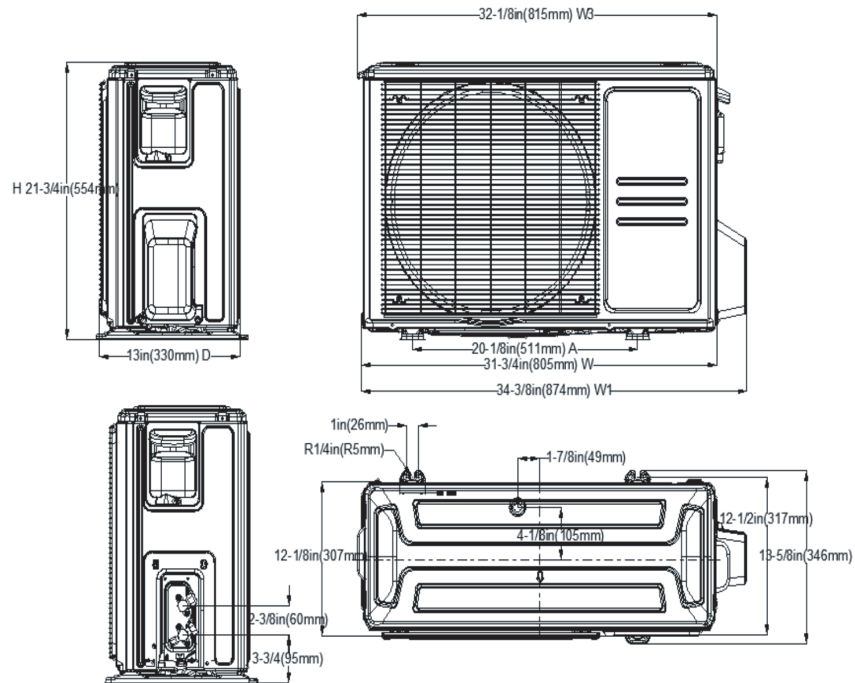
| ELECTRICAL | |
|--|-------------------|
| Power Supply | 208/230V,60Hz,1Ph |
| System Min. Circuit Amps | 15.00 |
| Connection Wiring | 14/4 |
| System Max Over Current Protection (A) | 15 |
| Compressor (RLA) | 11.6 |
| Outdoor Fan Motor (RLA) | 0.5 |
| Outdoor Fan Motor (W) | 34 |
| Indoor Fan Motor (RLA) | 1.5 |
| Indoor Fan Motor (W) | 165 |
| System Power Input @ Cooling (W) | 1000(150 ~ 1260) |
| System Power Input @ Heating (W) | 970(260 ~1420) |

| DIMENSIONS | |
|-----------------------|-----------------------|
| Indoor: | |
| Dimension (W×D×H) | 27.56 x 29.53 x 9.65 |
| Package (W×D×H) | 36.42 x 33.46 x 11.73 |
| Unit Weight (lbs) | 64.15 |
| Shipping Weight (lbs) | 73.85 |
| Outdoor: | |
| Dimension (W×D×H) | 31.69 x 12.99 x 21.81 |
| Package (W×D×H) | 36.02 x 14.57 x 24.21 |
| Unit Weight (lbs) | 72.75 |
| Shipping Weight (lbs) | 78.70 |

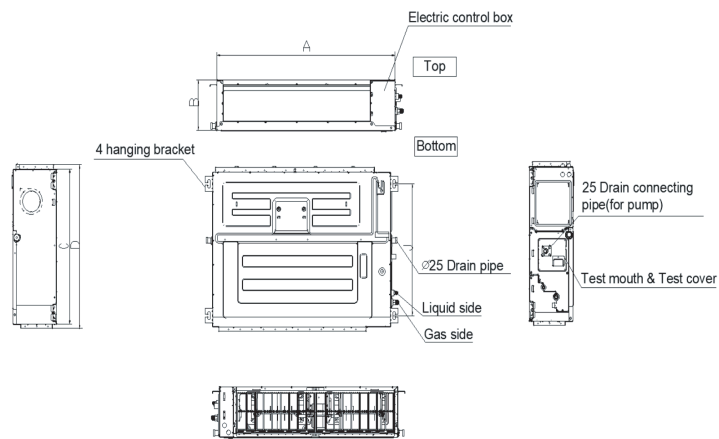
| REFRIGERANT PIPE DATA | |
|--|--------|
| Liquid Size (in.) | 1/4 |
| Gas Size (in.) | 3/8 |
| Max. Piping Length (ft) | 82.00 |
| Max. Height Differencex (ft) | 49.20 |
| Max. Pre-charged Length (ft) | 24.6 |
| Refrigerant Pre-charged Amount (oz) | 35.27 |
| Additional Charge of Refrigerant (oz/ft) | 0.16 |
| Connection Method | Flared |

| WARRANTY | |
|----------|-------------------------------------|
| | 5 years compressor 5 years parts |

Outdoor Unit Dimension



Indoor Unit Dimension (Internal Pump)



| Capacity | W | D | H |
|----------|-------|-------|------|
| 12k | 27.56 | 29.53 | 9.65 |