

Mitsutomo Submittal Data Sheet

R-454B 18K Slim Ducted Multi Zone Evap

Job Name: _____

Engineer: _____

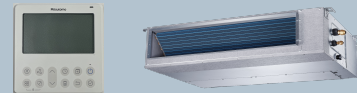
Submitted By: _____

Date: _____

Unit Tag: _____

System Info & Features:

- Slim design
- Up to .8" Static Pressure
- Heating down to -22 deg
- Self diagnostics
- Super quiet
- 7 Day Programmable Wall Thermostat



MODEL NUMBER	
Indoor unit:	S-HD-UZ18-LA-Q
Certified:	

OPTIONAL ACCESSORIES	
3rd Party Thermostat Interface Adapter	17222000A68532

SYSTEM PERFORMANCE DATA		
Electrical:		
Normal Operational Voltage	(V, Ph, Hz)	208/230V,60Hz,1Ph
Connection wiring		14/4
Performance Data:		
Rated Capacity		17500
Min/Max Capacity		4000~20600
Moisture Removal	(L/H)	1.39

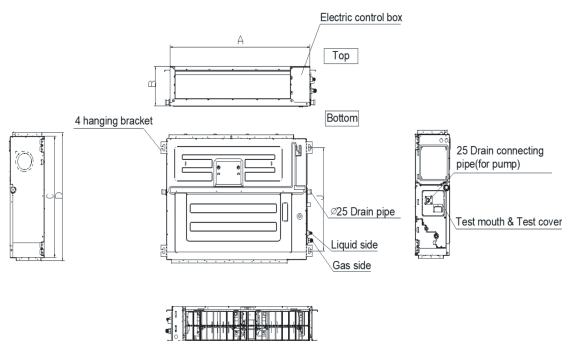
INDOOR UNIT DATA		
Fan Motor	(RLA)	1.8
Fan Motor	(W)	165
Air Flow & Sound Data:		
Indoor Air Flow (Turbo/H/M/L/Q)	(CFM)	706.3 / 618.0 / 529.7 / 441.4 / 441.4
Indoor Noise Level (Turbo/H/M/L/Q)	(DBA)	36 / 36 / 34.0 / 32.0 / 28.0

REFRIGERANT PIPE DATA		
Refrigerant Type		R454B
Liquid Side	(inch)	1/4
Gas Side	(inch)	1/2
Connection Method		Flared
Temperature Ratings:		
Indoor (cooling)	(Deg. °F)	-22~122
Indoor (heating)	(Deg. °F)	-22~75

Dimensions:		
Indoor:		
Dimension (WxDxH)	(inch)	39.37 x 29.53 x 9.65
Packing(WxDxH)	(inch)	48.23 x 33.86 x 11.97
Unit weight	(lbs.)	79.81
Shipping Weight	(lbs.)	91.27

WARRANTY	
	5 years compressor 5 years parts

Indoor Unit Dimension



Capacity	W	D	H
18k	39.37	29.53	9.65