

Mitsutomo Submittal Data Sheet

R-454B 24k High Heat Single Zone Wall Mount Pump System

Job Name: _____

Engineer: _____

Submitted By: _____

Date: _____

Unit Tag: _____

System Info & Features:

- Large display handheld remote
 - 24 hr timer
 - Error code diagnosis
 - Functions settings (see manual)
- Economy mode
 - Turbo mode
 - Dry mode



MODEL NUMBER	
Indoor unit:	HW-UZ24-LA-Q
Outdoor unit:	HO-SZ24-LA-Q
Certified:	

OPTIONAL ACCESSORIES	
Wifi Adapter	17310900A02901
7 Day Programmable Wall Thermostat	17317100A37597
3rd Party Thermostat Interface Adapter	17222000A68532

SYSTEM PERFORMANCE AND DATA	
Cooling Efficiencies and Performance	
SEER2	22.3
EER2	12.5
Rated Capacity	23000
Min/Max Capacity	16800~24500
Moisture Removal (L/H)	2.6
Standard Operating Range (F°)	-22~122
Conditions:	Indoor: 80F° DB/67F° WB Outdoor: 95F° DB/75F° WB
Heating Efficiencies and Performance	
HSPF2-4	13.3
COP	3.05
1. @ 47F° Rated	26000
1. @ 47F° Min/Max Capacity	11800~28100
2. @ 17F° Rated	21600
3. @ 5F° Rated: Capacity / COP	24000/2.00
3. @ 5F° Max: Capacity	24000
Standard Operating Range (F°)	-22~75
1. Conditions:	Indoor: 70F° DB/60F° WB Outdoor: 47F° DB/43F° WB
2. Conditions:	Indoor: 70F° DB/60F° WB Outdoor: 17F° DB/15F° WB
3. Conditions:	Indoor: 70F° DB/60F° WB Outdoor: 5F° DB/5F° WB

SPECIFICATIONS	
Indoor:	
Indoor Air Flow (Turbo/H/M/L/Q) (CFM)	759.3 / 588.6 / 459.1 / 382.6 / 382.6
Indoor Noise Level (Turbo/H/M/L/Q) (DBA)	54.5/49.5/43.5/34.5/20.5
Heating Efficiencies and Performance	
Compressor Type	ROTARY
Refrigerant	R454B
Refrigerant Oil Charge (OZ)	20.96
Refrigerant Oil	VG74
Outdoor Air Flow (Max) (CFM)	2235.3
Outdoor Noise Level (DBA)	61.0

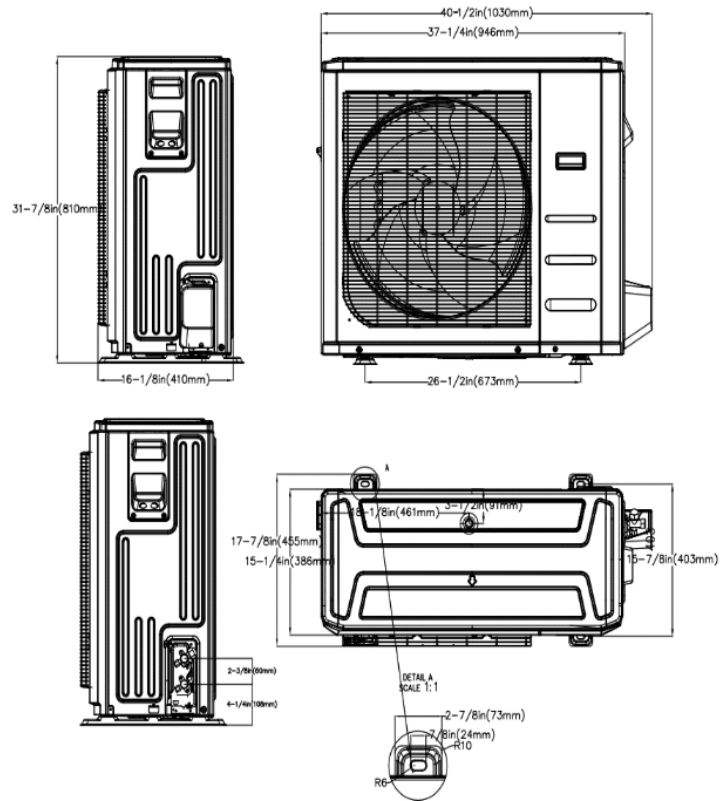
ELECTRICAL	
Power Supply	208/230V,60Hz,1Ph
System Min. Circuit Amps	24.9
Connection Wiring	14/4
System Max Over Current Protection (A)	25
Compressor (RLA)	15.0
Outdoor Fan Motor (RLA)	1.3
Outdoor Fan Motor (W)	120
Indoor Fan Motor (RLA)	1.3
Indoor Fan Motor (W)	58
System Power Input @ Cooling (W)	1840(1490 ~ 2210)
System Power Input @ Heating (W)	2498(675 ~ 2600)

DIMENSIONS	
Indoor:	
Dimension (W×D×H)	42.60 x 9.21 x 13.27
Package (W×D×H)	45.47 x 12.40 x 16.34
Unit Weight (lbs)	30.86
Shipping Weight (lbs)	40.56
Outdoor:	
Dimension (W×D×H)	37.24 x 16.14 x 31.89
Package (W×D×H)	42.91 x 19.68 x 34.84
Unit Weight (lbs)	130.29
Shipping Weight (lbs)	141.31

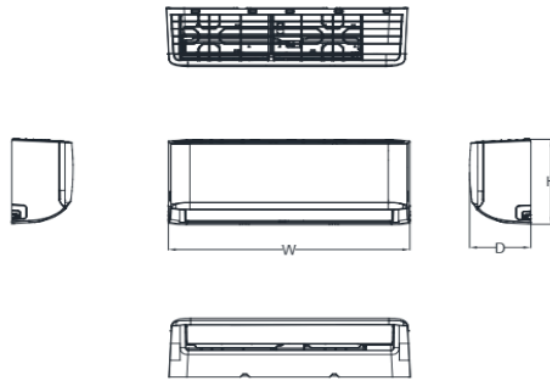
REFRIGERANT PIPE DATA	
Liquid Size (in.)	3/8
Gas Size (in.)	5/8
Max. Piping Length (ft)	164.0
Max. Height Difference (ft)	82.0
Max. Pre-charged Length (ft)	24.6
Refrigerant Pre-charged Amount (oz)	63.49
Additional Charge of Refrigerant (oz/ft)	0.32
Connection Method	Flared

WARRANTY	
	5 years compressor 5 years parts

Outdoor Unit Dimension



Indoor Unit Dimension (Internal Pump)



Capacity	W	D	H
24k	42.60	9.21	13.27