



## Mitsutomo Submittal Data Sheet

# R-454B 24k Non High Heat Multi Position Air Handler Heat Pump

**Job Name:** \_\_\_\_\_

**Engineer:** \_\_\_\_\_

**Submitted By:** \_\_\_\_\_

**Date:** \_\_\_\_\_

**Unit Tag:** \_\_\_\_\_

### System Info & Features:

- 4 way multi position air handler
- Up to .8" static pressure
- 24V thermostat option
- Heating down to -13°
- Self diagnostics
- Super quiet
- ECM blower motor
- Programmable smart wall thermostat
- Large handheld remote
- Auto condenser coil cleaning cycle



MODEL NUMBER	
Indoor unit:	UHM24-BB-LA-Q
Outdoor unit:	RHO24-NB-LA-Q
Certified:	

OPTIONAL ACCESSORIES	
8kw Electric Heat Kit	M-EAH-08-Q
15kw Electric Heat Kit	M-EAH-15-Q

SYSTEM PERFORMANCE AND DATA	
<b>Cooling Efficiencies and Performance</b>	
SEER2	18.1
EER2	11.0
Rated Capacity	24000
Min/Max Capacity	7200~27000
Moisture Removal (L/H)	2.38
Standard Operating Range (F°)	-13~-122
Conditions:	Indoor: 80F° DB/67F° WB Outdoor: 95F° DB/75F° WB
<b>Heating Efficiencies and Performance</b>	
HSPF2-4	9.7
COP	3.18
1. @ 47F° Rated	26000
2. @ 47F° Min/Max Capacity	7100~30000
3. @ 17F° Rated	20000
4. @ 5F° Rated: Capacity / COP	21600/1.87
5. @ 5F° Max: Capacity	21600
Standard Operating Range (F°)	-13~75
1. Conditions:	Indoor: 70F° DB/60F° WB Outdoor: 47F° DB/43F° WB
2. Conditions:	Indoor: 70F° DB/60F° WB Outdoor: 17F° DB/15F° WB
3. Conditions:	Indoor: 70F° DB/60F° WB Outdoor: 5F° DB/5F° WB

SPECIFICATIONS	
<b>Indoor:</b>	
Indoor Air Flow (Turbo/H/M/L/Q) (CFM)	824.04 / 759.29 / 694.55 / 629.80 / 629.80
Indoor Noise Level (Turbo/H/M/L/Q) (DBA)	44/44/42/28/28
<b>Heating Efficiencies and Performance</b>	
Compressor Type	ROTARY
Refrigerant	R454B
Refrigerant Oil Charge (OZ)	20.96
Refrigerant Oil	VG74
Outdoor Air Flow (Max) (CFM)	1765.7
Outdoor Noise Level (DBA)	60

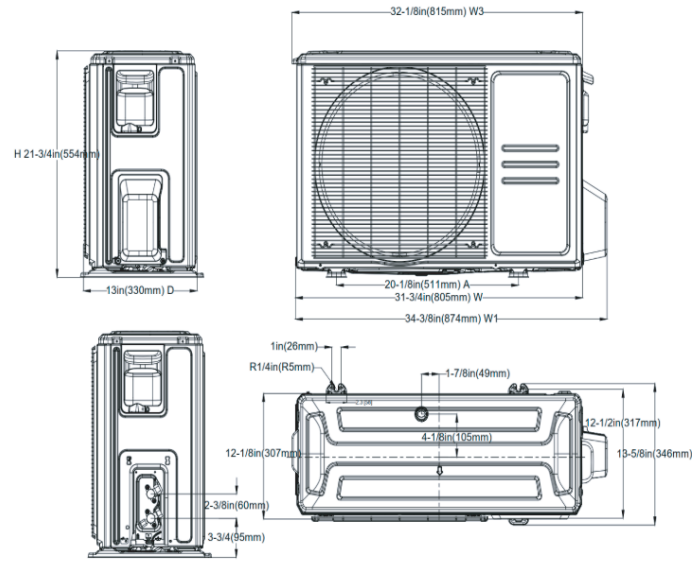
ELECTRICAL	
Indoor Power Supply	115/208/230V,60Hz,1Ph
Indoor Min. Circuit Amps 115V/(208/230V)	5.5/4.0
Indoor Max Over Current Protection	15
Outdoor Power Supply	208/230V,60Hz,1Ph
Outdoor Min. Circuit Amps	19
Outdoor Max Over Current Protection	20
Communication Wiring	18-2 Mitsutomo Thermostat, 18-10 3rd Party Thermostat
Compressor (RLA)	14
Outdoor Fan Motor (RLA)	1
Outdoor Fan Motor (W)	80
Indoor Fan Motor (RLA)	3
Indoor Fan Motor (W)	250
System Power Input @ Cooling (W)	2181(530 ~ 2870)
System Power Input @ Heating (W)	2396(440 ~ 2730)

DIMENSIONS	
<b>Indoor:</b>	
Dimension (W×D×H)	17.52 x 21.02 x 45.00
Package (W×D×H)	26.57 x 20.87 x 48.62
Unit Weight (lbs)	105.60
Shipping Weight (lbs)	127.43
<b>Outdoor:</b>	
Dimension (W×D×H)	35.04 x 13.46 x 26.50
Package (W×D×H)	39.17 x 15.67 x 29.13
Unit Weight (lbs)	102.29
Shipping Weight (lbs)	109.13

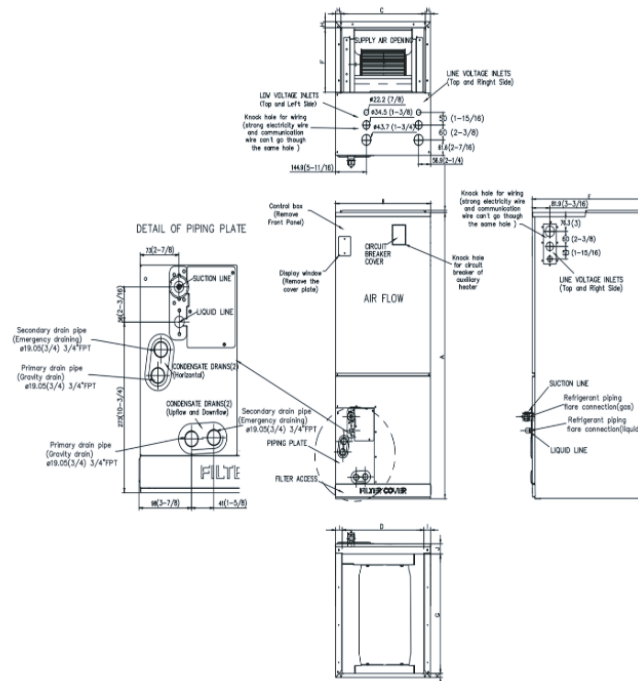
REFRIGERANT PIPE DATA	
Liquid Size (in.)	3/8
Gas Size (in.)	3/4
Max. Piping Length (ft)	164.0
Max. Height Differencex (ft)	82.0
Max. Pre-charged Length (ft)	24.6
Refrigerant Pre-charged Amount (oz)	74.08
Additional Charge of Refrigerant (oz/ft)	0.7
Connection Method	Flared

WARRANTY	
	5 years compressor 5 years parts

## Outdoor Unit Dimension



## Indoor Unit Dimension (Internal Pump)



Model	Unit	A	B	C	D	E	F	G	H	I	J	K
24K	inch	45	17.5	15 5/8	15 1/8	21	10 1/4	18 3/4	15/16	11/4	15	5/8